

bar lok®



Portable Bar

Barlok® is an RGB LED Portable Bar Unit. Utilising an innovative design and locking system, set up can be as an individual unit or multiple units in a line. Alternatively, using the unique corner sections, an octagonal arrangement can be achieved offering a stunning focal point for any function.

Quick and easy set up/break down with no screws or tools.

The raked LED, DMX controllable bar frontage and additional footrest, highlights the bars appearance and sets it apart from the competition.

Direct connection via DMX controller or wirelessly, via Wi-Fi, through iPhone iPad or Android connection using a free to download app.

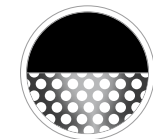
Fully adaptable into event production and design, custom options available.

A purpose designed trolley is available for quick and effortless transport and storage. Each trolley holds three complete portable bar and is sized to fit through standard double width doorways.

This portable bar unit is ideal for hotels, restaurants, caterers, companies organising events, shows and weddings as a portable bar unit, reception unit, DJ booth.



FINISHES



Black Acrylic bar top/
Powder Coated Steel panel



Custom
bar top/panel

FRAME



Black Powder Coated
Steel & Stainless Steel



Custom Powder Coated
Steel & Stainless Steel



Portable | Floormaker



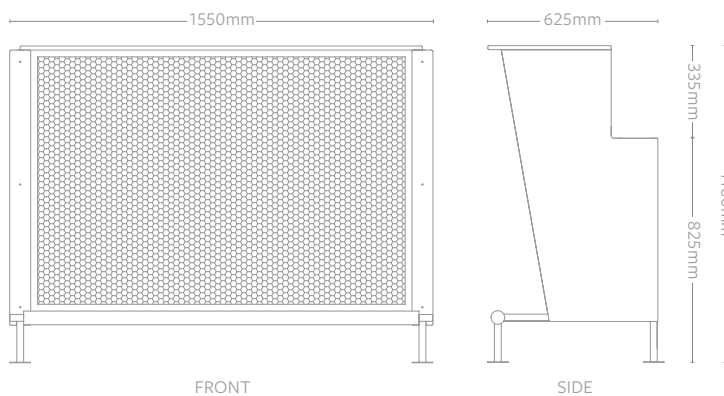
Portable Bar

Features – Benefits

- No screws or tools – quick and easy set up
- Bar breaks down completely flat – easy storage and transportation
- Front LED panel interchangeable – custom options available
- Hard wearing, wipe clean surface – low maintenance
- Durable construction including 12mm solid acrylic bar top counter – good value for Return of Investment (ROI)
- 3 year warranty on manufacture, labour and materials, 1 year on electrics – peace of mind
- Full range of hygienic, stainless steel accessories include ice storage, sink unit and speed rails – complete solution
- Fully adjustable feet – can be used on slightly uneven surfaces
- Storage trolley – fits through standard double width doorways
- Fully powder coated trolleys – offers a harder, more durable finish

Specifications

- Bar specification:
 - 12mm through coloured commercial acrylic bar top counter
 - 25mm box section powder coated mild steel frame
 - 3mm through coloured commercial acrylic LED front panel
 - 2mm protective powder coated mesh front panel
 - 2mm stainless steel shelving
 - Adjustable feet



PFM Portable | Floormaker

T | +44 (0) 1332 814 080 F | +44 (0) 1332 814 443 E | enquiries@portablefloormaker.co.uk W | www.portablefloormaker.co.uk

f | | | | Unit 4 Sycamore Road . Trent Lane Industrial Estate . Castle Donington . Derbyshire . DE74 2NW . United Kingdom